



THE BONNHAM HOTEL

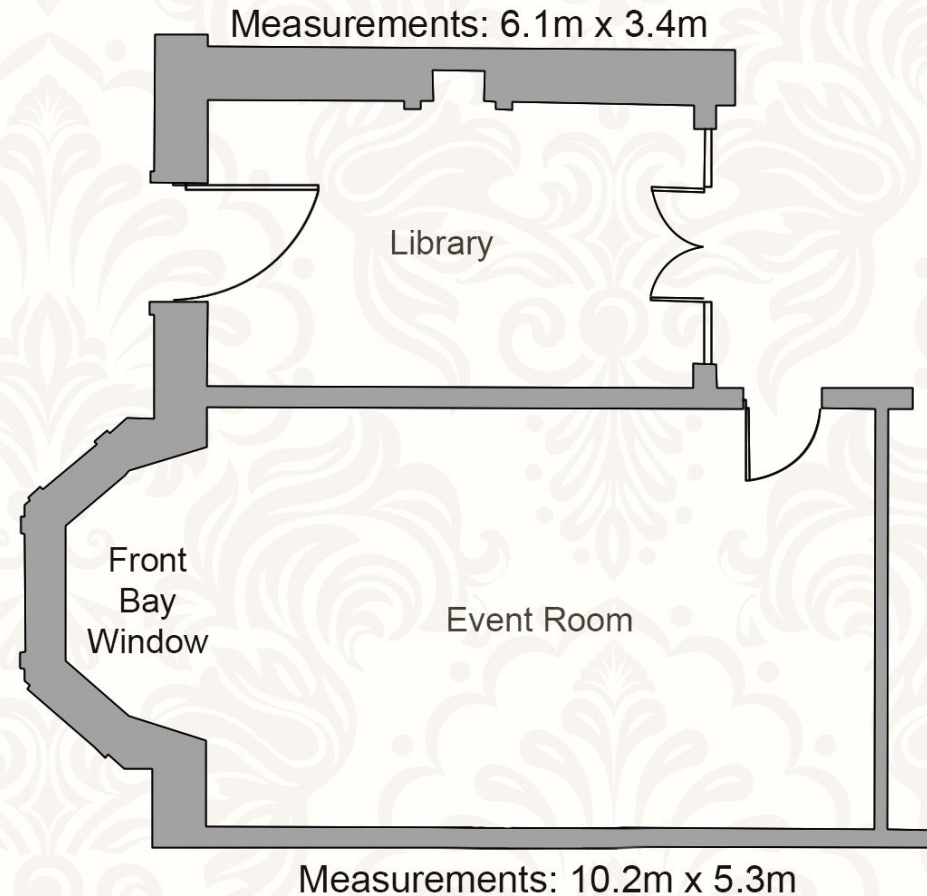
Edinburgh

Meeting & Events Brochure

THE EVENTS ROOM & LIBRARY

Combining a convenient location in the beautiful centre of Edinburgh with regal Victorian architecture and spectacular views across neighbouring Drumsheugh Gardens, The Bonham is ideally suited for corporate and social events alike.

Flexible event space accommodates up to 70 delegates, alongside state of the art audio visual equipment available, a variety of menus catering to the tastes of your guests, as well as convenient access to the nearby Waverley Station and Edinburgh Airport.



Capacities

EVENT ROOM	Boardroom	Round Tables	Theatre	Reception
	26	40	45	70
LIBRARY	Boardroom	Round Tables	Theatre	Reception
	N/A	N/A	N/A	15



The Events Room

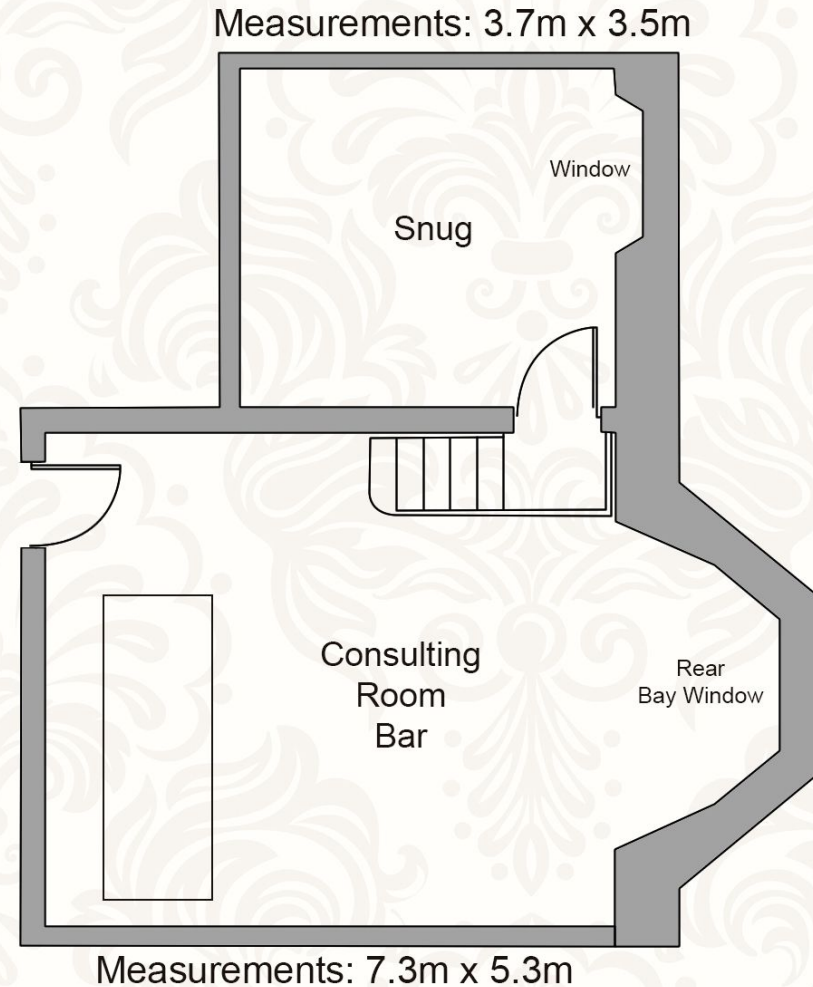
THE CONSULTING ROOM & SNUG

Our Snug, in a beautiful ornate former reading room is a great venue for up to 8 guests for a meeting or private lunch or dinner event.

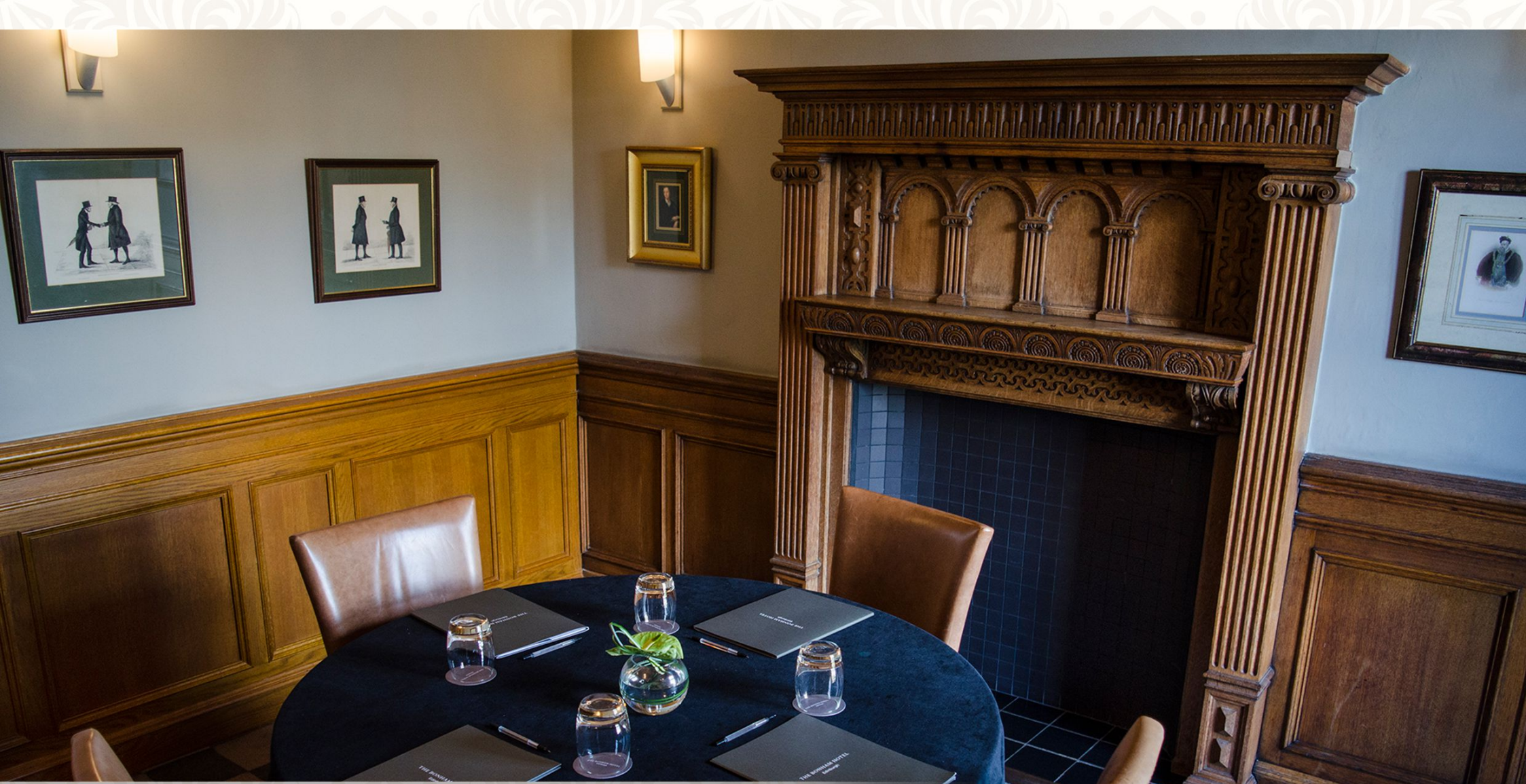
Original wooden panelling and a richly decorated ceiling make this an ideal venue

The Consulting Room Bar, an oasis of calm away from the hustle of the city, is open for both guests and non residents.

It is the perfect place to enjoy an early evening glass of wine, cocktails before dinner or a nightcap.



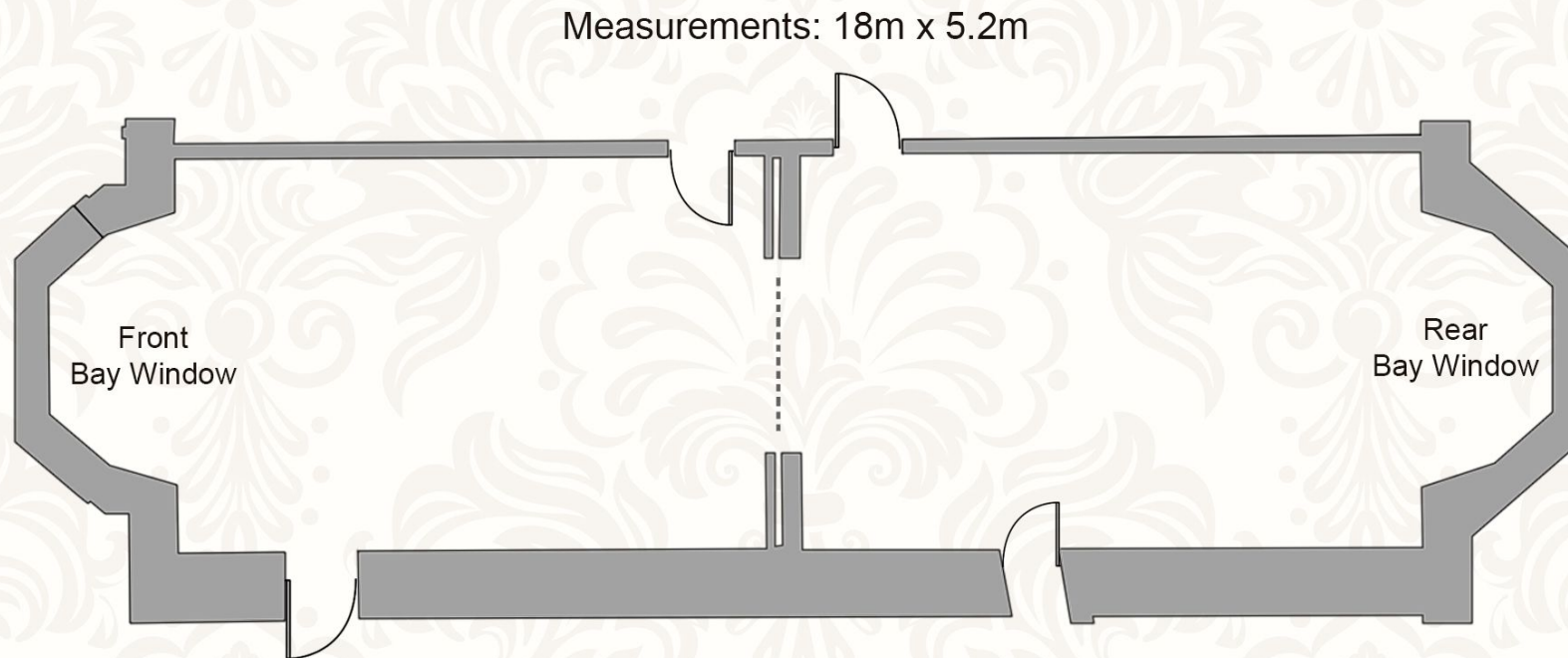
Boardroom	Round Tables	Theatre	Reception
6	6	6	15



The Snug

THE RESTAURANT AT THE BONHAM

Restaurant at The Bonham offers a stylish and unique venue for your next event or private dinner. The restaurant can be used exclusively for larger dinners of up to 70 guests or the room can be split into 2 areas, offering space for for 50 guests to dine with an adjoining bar area. Wonderful original panelling and glittering chandeliers provide the perfect backdrop for any event, large or small.



Boardroom	Round Tables	Theatre	Reception
26	70	65	80



The Restaurant

ROOMS & SUITES

Every one of our beautiful and luxurious bedrooms has benefitted from an extensive refurbishment in 2018, ensuring guests have every comfort available to them.

Intricate features such as original cornicing and wood panelling have been complemented by the full redesign of all bedrooms, including the addition of a stunning collection of chandeliers throughout and new bathrooms.

All rooms come with super comfortable Hypnos beds, luxurious bed linens, Mini fridges with complimentary water, welcome trays with tea and coffee and complimentary wi-fi.



Classic	Superior	Junior Suite	Exec Suite
From £89	From £109	From £139	From £189



Rooms & Suites

Contact

*For enquiries please contact our
dedicated Events Team...*

T: 0131 226 6050

E: events@thebonham.com

W: www.thebonham.com

